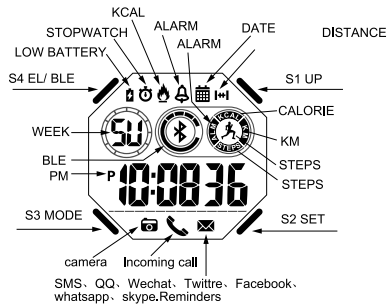


ACTIVE Pro

SMARTWATCH FUNCTION DESCRIPTION



S1: up, pause, photograph S2: select, set, reset S3: mode, affirm, S4: EL ,BLE switch

Function:

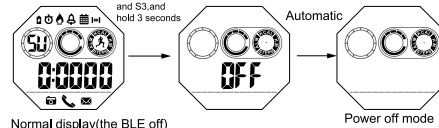
1. 8 digits LCD display, week, hour, minute, second display; press S3, month, date display(connected to mobilephone, synchronous time display);
2. 12/24 selectable(connected to mobilephone, synchronous time display);
3. 24Hours accurate 3D pedometer/calorie consumption detection/distance detection(data can be uploaded to mobilephone);
4. Alarm clock: settable in APP when connected to mobilephone;
5. chronograph: as long as 59 mins 59 seconds with split time function;
6. EL backlight: lasting 2 seconds by clicking the button;
7. Bluetooth ON/OFF control(adapt for different mode of energy consumption);
8. Sport data sharing and ranking within the circle of friends for Android/ios smart phone, server supports worldwide network;

1

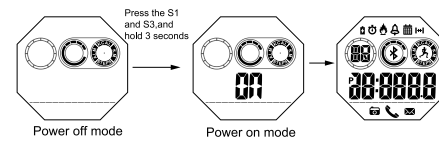
9. Sports data storage function(15 days sport data can be stored);
10. Sport data can be uploaded to cloud server when connected to smart phone or tablet device;
11. Synchronous time, date and alarm clock setting in smart phone;
12. call reminder, SMS reminder, QQ, wechat/twitter/facebook/whatsapp/ skype reminder;
13. remote control camera of the smart phone;
14. Support 12 languages: Simplified Chinese, Traditional Chinese, English, Italian, French, German, Russian, Spanish, Portuguese, Arabic, Korean, Japanese.

Power on/off mode

In the BLE close mode ,press the S1 and S3 for three seconds



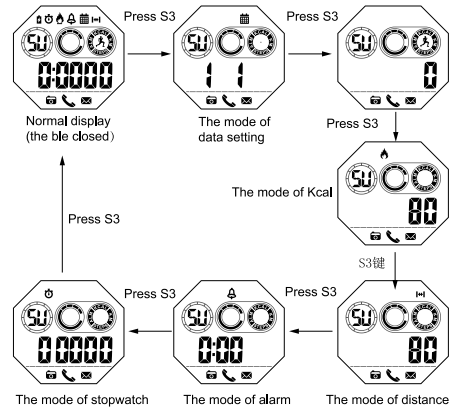
Normal display (the BLE off)
In the power off mode, press the S1 and S3 for three seconds



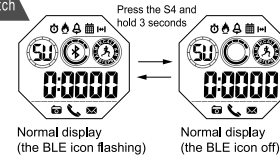
2

conversion of mode

操作图示:

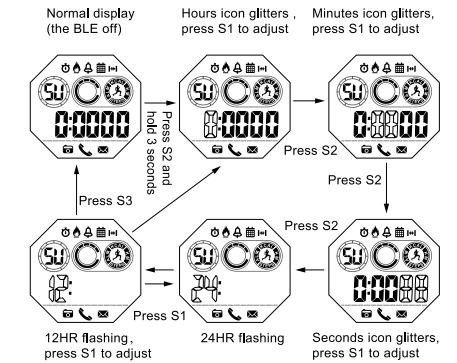


The mode of BLE switch



3

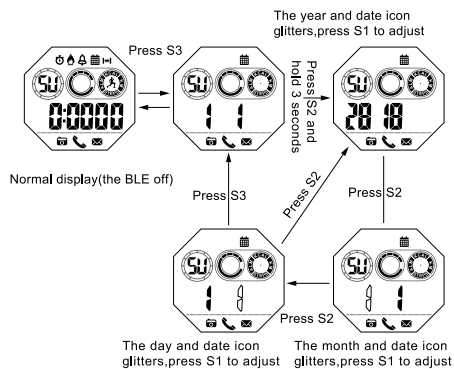
Time and 12HR/24HR Setting



- The remarks:
1. In any conditions of the process of settings ,if you press the S3,it will confirm back to the previous menu.
 2. In any conditions of the process of settings,if you couldn't confirm in 10 seconds ,it will waiver and back to the normal display.

4

The mode of date settings

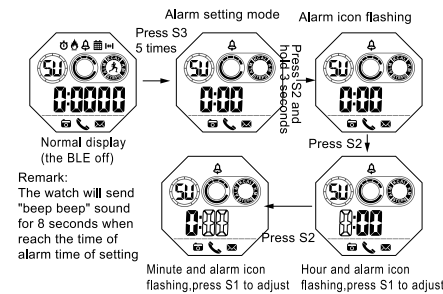


- Remarks:
1. The calendar rang from: 2000-2099;
 2. In any status of settings, if there is no confirm in 10 seconds, it will waiver and return to normal display ;
 3. In any status of settings, press S3 to confirm and return to previous menu

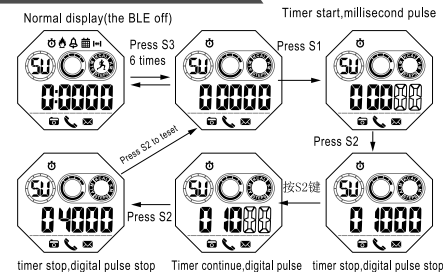
The mode of alarm setting

Normal display (the BLE off)

5



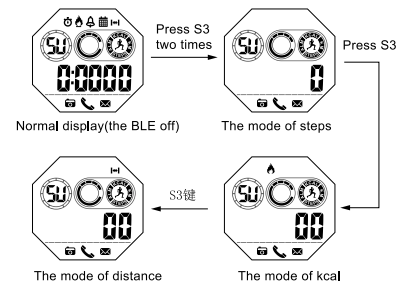
The mode of stopwatch setting



1. The stopwatch timer maximum value is 23:59:59, the first 23 minute 59.99 seconds to the millisecond, and then to the second.
2. When the timer reach maximum value, it will return to zero and timer again
3. If stopwatch timer don't return to zero, the timer continue in any mode

6

Check the real-time motion data of the day



Remark:
The default mode is 24 hours pedometer mode, the pedometer will be activated when more than ten steps to avoide wrong opration

APP download and install

Scan QR code to download and install the APP

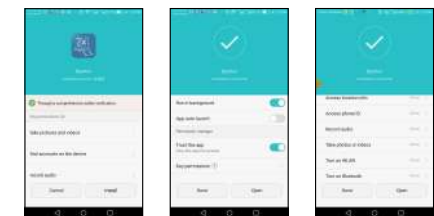
- (1). Foreign android: Foreign/Hong Kong, Macao and Taiwan regions China ,scan the QR code below figure 6 (if the mobile phone bluetooth not turn ON ,the APP will alert the user to turn on the bluetooth in setting bar to connect Xwatch)
- (2). Domestic android: Scan the QR code below figure 7 (if the mobile phone bluetooth not turn ON ,the APP will alert the user to turn on the bluetooth in setting bar to connect Xwatch)
- (3). Apple ios: scan QR code below figure 5 to download and install the APP (if the mobile phone bluetooth not turn ON ,the APP will alert the user to turn on the bluetooth in setting bar to connect Xwatch)

7

- Keywords search to download and install the APP
- (1) Foreign android: Foreign/Hong Kong, Macao and Taiwan regions China users search the keyword "sports+" in the Google Play(The ranking need to pull down to see)
 - (2) Domestic android: search the keyword "sportplus" in the Myapp
 - (3) Apple ios: Search the keyword "sports+ by guanghui" in the App store(NOTE :there is a space before and after "by")



3. Android APP install :
- 1) Click "install" → open "Run in background" and "Trust this app" → open permissions (All select "Allow")



- 2) After the first login , you can click the "User name" to set the personal information: Avatar, User name, Gender, Birth date, Height, Weight

8



Bluetooth connect and bind

1. Before use the APP to connect watch and mobile phone, please open the bluetooth of the watch and mobile phone, open the APP, click the icon in the upper left corner to enter the setting interface, select "Device management" --> "Searching to bind new device" --> "Searching around the XWatch" --> select the XWatch to connect



main interface

select device management



click "Searching to bind new device" Click "XWatch" to connect

Remark: Android mobile phone system must be more than Android 4.3, Android mobile phone's bluetooth must be more than 4.0 version, apple mobile phone must be more than IPHONE 4S.

Movement data to share

Click "share icon", you can share the data to QQ friends circle of friends, facebook, twitter



share icon

Click QQ

Twitter Facebook Wechat QQ

Select the friend of QQ, then click send

After the bluetooth connection data synchronization application instructions

1. Click on the main interface and slip down screen to refresh data, you can view the current motion data, includes: movement step, calorie, movement distance
2. Time synchronization: when the watch and mobile phone after the connection is successful, time is on the watch has synchronization with mobile phone;

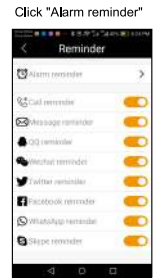
movement step
movement distance
Burn calorie
History data (the history data need to after 15 minutes to view)



Alarm setting instruction:



Click "Caution"



Click "Alarm reminder"

Choose any one of the below



Select the alarm time then click the "Enter"



Repeat above operation to set other alarms

Caution setting

1. Incoming call caution:
2. Information to remind: SMS, QQ, WeChat, TWITTER, FACEBOOK, WHATSAPP, SKYPE and other information to remind:



Normal display (the BLE connected)



When there is text messaging, QQ, WeChat, TWITTER, FACEBOOK, WHATSAPP, SKYPE and other information coming, this icon will continue to flash and send "beep beep" sound to remind.

When there is an incoming call this icon will continue to flash and send "beep beep" sound to remind



The remarks:

1. If the mobile phone APP have setted the alarm time, when reached the alarm time watch will send "beep beep" sound for 8 seconds;
2. When the mobile phone APP open all permissions and all reminders: CALL SMS, QQ, WECHAT, TWITTER, FACEBOOK, WHATSAPP, SKYPE and other reminders, when there is an incoming call, SMS, QQ, WeChat, TWITTER, FACEBOOK, WHATSAPP IKYPE information, the watch will send "beep beep" sound for 2 seconds.

Normal display (the BLE connected)



When press the S1, this icon will be flashed and operate camera remote

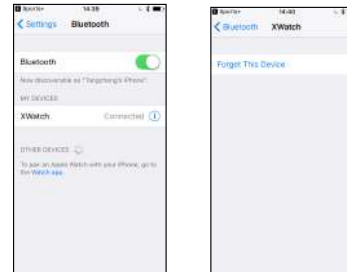


camera

IOS mobile phone with bluetooth to watch, there are two steps to remove binding:

1. remove the IOS mobile phone connection with Xwatch bluetooth devices application APP.
2. cancel the IOS mobile phone bluetooth and Xwatch connection between bluetooth devices, IPHONE6, for example, the specific operation is as follows: after Xwatch APP supersolution tied (namely after exit the APP), but also in the mobile phone "Settings" "bluetooth" drop-down list "Xwatch" equipment "Forget This Device", in the following figure:

Find the "XWatch" in the mobile phone "Settings" "bluetooth" interface, then click the "i" after the "connected"



Click "Forget This Device"

1	Supply voltage	3.0V
2	Bluetooth communication distance	≥ 8m (open field)
3	RF working frequency band	2402-2480MHz
4	Battery type	CR2450(600mAh)
5	Power-off current	≤ 0.1uA
6	Dynamic current (BLE in connect status)	≤ 51uA
7	Static current (BLE is not connect)	≤ 23uA
8	Current of beeping	≤ 3mA
9	Current of EL Luminous	≤ 9.5mA
10	Current of stopwatch	≤ 0.37mA
11	Current of uploading data	≤ 0.32mA

Battery life

High consumption mode	24 hours meter step, bluetooth connection accumulated 12 hours one day, 8 seconds alarm 3 times, EL backlight 2 times 6 seconds, calling SMS alerts and other messages 40 times one day	≥ 18 months
The standard mode	24 hour meter step, bluetooth connection accumulative total of 2 hours one day, 8 seconds alarm 12 times, EL backlight 2 times 6 seconds, telephone text messages to remind 10 times one day	≥ 22 months
Energy saving mode	Step: 24 hour meter, 2 weeks data synchronous movement of a 0.5 hours, 8 seconds alarm 1 times, EL backlight 1 times for 3 seconds, close call SMS alerts	≥ 31 months

	Drawing	Check	Approved
Signature	hxb		
Date	2018.5.29		

Version: A1 6